



APPLICATION

- Cold water up to 30 °C (safe up to 50 °C)
- Operating pressure up to 16 bar
- Flange to DIN 2501 and DIN 2533
- Encapsulated counter of glass/copper, protection class IP 68 (waterproof up to 5 m)
- Available with FLYPPER electronic counter module for flow rate monitoring, data acquisition and remote data reading - protection class IP 68 waterproof
- For installation at a transition from a vertical to a horizontal pipe (e.g. in a well)

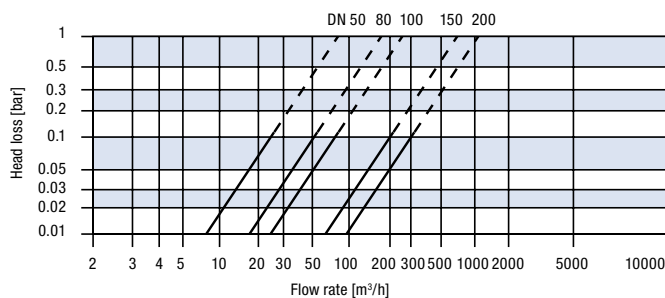
FEATURES

- EEC approval for metrological classes A/B
- Completely dry-running - no gears in the wet chamber
- Removable measuring insert
- Integrated measurement outputs as standard
- Up to two different digital outputs and one analogue output simultaneously
- Sensors for remote readout (digital) and flow measurement (analogue) can be retrofitted on site without affecting calibration
- Outstanding long-term accuracy even under extreme loads
- Measuring range for small flow rates considerably larger than specified for metrological class
- Complete head unit with counter and sensors can be rotated by 350° for easier reading
- Integral part of the FLYPPER system
- Housing in form of 90° pipe elbow to DIN 28537 and DIN 28637
- Service-friendly handling

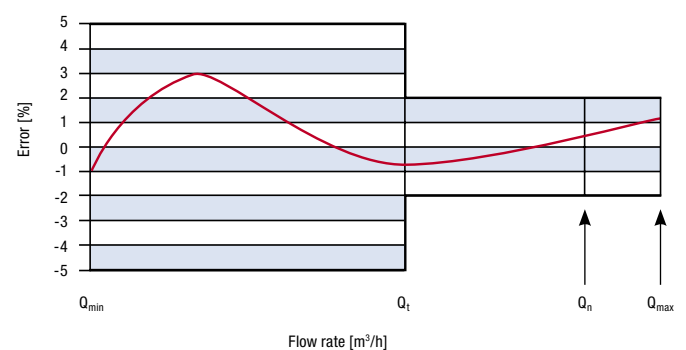
SPECIAL VERSIONS

- High-pressure version up to 25/40 bar
- Special flange holes
- For other media
- For different pulse values

HEAD LOSS GRAPH FOR WP-MFD



TYPICAL ERROR GRAPH FOR WB-MFD



TECHNICAL DATA

Model			234					
Type			WB-MFD TYRBOT					
Nominal diameter	DN	mm	50	80	100	150	200	
Meter size Q _n to DIN ISO 4064	Q _n	m ³ /h	15	40	60	150	250	
Continuous load			m ³ /h					
			25	55	90	200	300	
Max. load (for up to 15 min.)			m ³ /h					
			50	110	180	350	600	
Transition flow limit	Q _t	m ³ /h	1.0	1.2	1.5	5	20	
Lower measuring range limit	Q _{min}	m ³ /h	0.2	0.25	0.3	0.8	4	
Starting flows			l / h					
			60	90	90	150	370	
Flow rate at 0.1 bar head loss			m ³ /h					
			25	50	78	250	295	
Dial indication range			min. l			10		
			max. m ³			10.000.000		
Flange diameter	D	mm	165	200	220	300	360	
Hole circle diameter	K	mm	125	160	180	240	295	
Bolt hole diameter	l	mm	18			23		
Number of bolts			4	8 (4*)	8	8	8 (12*)	
Height	H	mm	124	140	149	219	264	
Height for removing insert above centre of pipe	A	mm	260	320	330	485	586	
Overall length	DIN 28537	L	mm	150	180	200	250	300
Overall length	DIN 28637	L	mm	-	165	180	220	260
Width	B	mm	88.5	103	103	132	180	
Head flange diameter	d	mm	173	222	222	310	352	
Weight			kg					
			14.2	26.6	33.3	71.5	130	
Pulse output (reed) model 570			l / pulse			1000 / 10.000		
						1.000 / 10.000		
Pulse output (reed) model 570			l / pulse			25 · 50 · 100 · 250		
* Special version						500 · 2.500 · 5.000		
IR transmitter model 573			l / pulse			10.0		

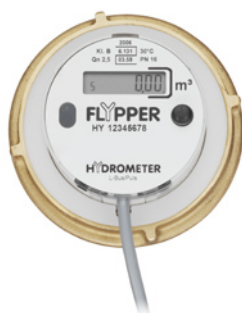
* available by separate order.

Meter can be calibrated with pulse sequences ≥ 100 l/pulse. Subject to minor technical changes in the course of further development.

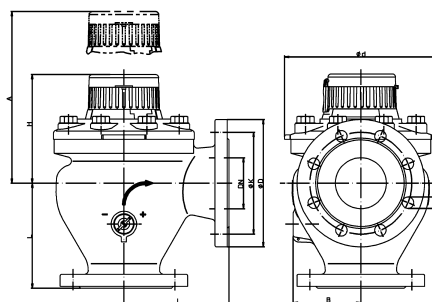
SPECIAL VERSIONS

The WB meter can be supplied as an option with the FLYPPER electronic counter module in protection class IP 68 (water-proof up to 5 m).

Order reference: WB-EZM



DIMENSIONS



ORDER REFERENCES

Model	Nominal diameter	Type designation	Version	Article number
234	50 mm	WB-MFD / TYRBOT	BL 150 / B•H	234 000 00
234	80 mm	WB-MFD / TYRBOT	BL 165 / B•H / 8-hole	234 000 01
234	80 mm	WB-MFD / TYRBOT	BL 180 / B•H / 8-hole	234 000 02
234	100 mm	WB-MFD / TYRBOT	BL 180 / B•H	234 000 05
234	100 mm	WB-MFD / TYRBOT	BL 200 / B•H	234 000 06
234	150 mm	WB-MFD / TYRBOT	BL 220 / B•H	234 000 08
234	150 mm	WB-MFD / TYRBOT	BL 250 / B•H	234 000 09
234	200 mm	WB-MFD / TYRBOT	BL 260 / B•H / 8-hole	234 000 10
234	200 mm	WB-MFD / TYRBOT	BL 300 / B•H / 8-hole	234 000 13